





## 2018 Entertainment Electrical Needs Assessment


We want to be able to serve your Electrical Power needs during the festival. Please help by telling us the Voltage and Amperage and the type of Receptacle you need. If your needs differ from the choices below, **please tell us exactly what you require**. We will do our best to accommodate you.

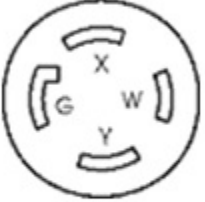
How many **Amps will you actually need?** 15  20  30  50  60  Other \_\_\_\_\_


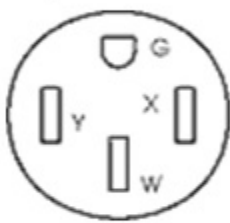
We need to know how much current each vendor needs so we can accommodate everyone. If we exceed the total capacity of the service, it causes voltage drop and endangers everyone's equipment. **Please help us avoid problems!** Feel free to add comments or enclose pictures if you need to do so to be specific.

Please check (✓) the type of Receptacle you require:

<b>110 Volts (15-20 or 30 Amps)</b>		
<input type="checkbox"/>  110 V / 20 A	<input type="checkbox"/>  <small>NEMA TT-30</small> NEMA TT-30	<input type="checkbox"/> Other: Please Specify  NEMA#: _____  Amps: _____
<b>110 Volt/15-20 Amp</b>	<b>110 Volt/30 Amp</b>	

<b>125 Volts ( 50 Amps)</b>	
<input type="checkbox"/>  NEMA 5-50	<input type="checkbox"/> Other: Please Specify  NEMA#: _____ Amps: _____
<b>125 Volts / 50 Amps</b>	<b>125 Volts / 50 Amps</b>

220 Volts (30 Amps)	
<input type="checkbox"/>  <p><b>NEMA L 14-30</b></p>	<input type="checkbox"/> <p>Other: Please Specify</p> <p>NEMA#: _____</p> <p>Amps: _____</p>

220 Volts / 50 Amps and 250 Volts/ 50 Amps	
<input type="checkbox"/>  <p><small>NEMA 10-50R</small> <b>NEMA 10-50</b></p>	<input type="checkbox"/>  <p><b>Nema 14-50</b></p>
220 Volt/50 Amp	250 Volt / 50 Amp

If the plug you use is not shown above, please supply the plugs  
**NEMA Number Here** \_\_\_\_\_

Comments: \_\_\_\_\_

\_\_\_\_\_

\_\_\_\_\_

Other than electric, do you have any other needs? (Please be as specific as possible)

How did you hear about our festival? \_\_\_\_\_

## YANKEETOWN ARTS & CRAFTS FESTIVAL 2018 RULES & REGULATIONS

### INGLIS YANKEETOWN LIONS FOUNDATION INC

P.O. Box 314 Inglis, FL 34449

**IMPORTANT:** Please read the following before signing the vendor application. Your signature on the application is your commitment to abide by the following rules and regulations. These rules have been created to help ensure a well-run, safe and fun festival for the public and our vendors. We think it helps if everyone starts with the same set of expectations. The Festival Committee wishes you a very successful event and if we can be of help or service please do not hesitate to ask. We also recognize that our vendors are the most experienced festival goers to be found. Any suggestions for improvement will be seriously considered. **Inglis Yankeetown Lions Foundation, Inc reserves the right to amend these rules or make exceptions, at any time, as the Festival Committee deems appropriate.**

**1. APPLICATIONS:** Applications are for space(s) at the Yankeetown Arts & Seafood Festival, hosted by the Inglis-Yankeetown Lions Foundation Inc (hereafter shown as IYLFI) to be held rain or shine Saturday & Sunday, Nov. 17-18, 2018 in Yankeetown, FL. Please submit pictures of your display, menus, etc. with your application to make it easier for us to accommodate you in the best way possible. Applications will be accepted until no spaces remain or until 8:30 am on Saturday Nov. 17, 2018, whichever occurs first.

**2. CHECK-IN:** Vendors are not guaranteed any particular space location. Requests for a specific space will be accommodated, as reasonably as possible, on a first application received basis. To expedite set-up, report to the intersection of Riverside Drive and 63<sup>rd</sup> Street, Yankeetown, FL, check in with a Festival Representative, and you will be directed to your spot.

**3. FEES:** Vendor shall pay a fee, as shown on the application or otherwise communicated by the Festival Committee, for space(s). All fees, unless otherwise noted, shall be paid in full at the time the signed application is returned to IYLFI. Checks will be accepted until Nov. 2, 2018. Money orders or cashier's checks will be required on or after Nov. 2, 2018. IYLFI cannot process credit or debit card transactions.

**4. SPACES:** Each Art/Craft space is 15 ft. frontage x approximately 10 ft depth. Spaces may be road berm, easement or frontage and not level. Come prepared. The festival layout has unassigned space behind or adjacent to some vendor spaces. You may not extend your display into these areas in such a way that it crowds other vendors.

**5. VEHICLE PARKING:** The Town of Yankeetown graciously allows free visitor parking on all road easements during the festival. Vehicles will not be permitted in the vendor area during festival hours. This is for the safety and convenience of both our vendors and festival guests. This will be strictly enforced. Cars, trucks, vans, trailers, etc. will not be considered as part of your display unless the public will actually enter them as part of their browsing experience. If a vehicle is part of your display, pictures **MUST** be submitted in advance with your application and approved by IYLFI. You may be required to purchase multiples spaces to accommodate the size of your display.

*If you parked a vehicle in the festival area in previous years this will not be "grandfathered".*

Always be extremely careful when driving in the vendor area during setup and teardown.

- Residential property borders both sides of the festival. Do not block driveways inside or outside the festival area at any time.
- Do not block Fire Department doors / driveway.
- Do not block fire hydrants.
- Any vehicle not in compliance with rules in this section is subject to towing. Recovery of the vehicle will be solely at the owner's expense.

We have a limited number of reserved parking spaces available. If you have handicap parking approval from the State you may ask to have a reserved parking festival permit. You must have both to park in the spaces we designate for special parking. Both the state and festival permits must be displayed in plain view. These spaces are filled on a first application in basis. We will do our best to accommodate your needs.

**6. MOTOR HOME PARKING:** There is no facility for motor home parking in or adjacent to the festival area. There are several campgrounds within a few blocks of the festival area.

**7. VENDOR SET-UP:** Recommended set-up times are on the applications. In all cases vendors are required to arrive at the festival grounds and check in at or before 8:00 am on Saturday, November 17, 2018. No vehicles will be allowed to enter the festival grounds after 8:30 am on the days of the festival. All vehicles on the grounds will be required to exit the grounds by 8:45 am on the days of the festival. IYLF highly suggests that heavy and/or cumbersome set-up take place on Friday, November 16, 2018. Spaces empty at 8:15 am on Saturday, November 17, 2018 may be assigned to another vendor without further notice and without a refund.

**8. DISPLAYS & EQUIPMENT:** All vendors will supply tables, chairs, canopies, tents, etc needed for their space. Booths must be neat and orderly throughout the Festival.

**9. IDENTIFICATION:** All vendors shall display the 8 ½" x11" card, provided by the Festival committee in a visible location, preferably at the upper right-hand corner of your display or canopy, during the entire festival.

**10. HEALTH REGULATIONS:** Food vendors must comply with both the State of Florida and Levy County Health Department's regulations pertaining to temporary food service. Vendors are responsible for determining what, if any, regulations apply and conformance. IYLF will not advise or monitor vendors for compliance. Health inspectors make site visits every year.

**11. ELECTRIC:** Electricity is primarily available for food and game/entertainment vendors. There are a few craft vendor spaces which have electric available. These are assigned on a first request basis. You may ONLY use the electricity amperage that you requested and paid for with your application. Any electrical equipment of a temporary nature for use with outdoor appliances, MUST be protected by the use of U.L. APPROVED GROUND FAULT CIRCUIT INTERRUPTED EQUIPMENT. This will be strictly enforced.

**12. WATER HOOK-UP:** Water hook-up is available for food vendors only. There are a limited number of water hook-ups available. If you do not request water hook-up on your application please do not ask for a water hook-up when you arrive.

**13. FIRE SAFETY:** Each vendor (food or non-food), with a fire source (ovens, grills, open fires, hot plates, burning candles, etc.), MUST have an approved fire extinguisher.

- Fire extinguishers must be visible and preferably mounted five feet from the ground or display floor and near the back of your space.
- Fire extinguishers must be at least ABC 5 lbs or larger if required to extinguish a fire in your particular set-up.
- Electrical extension cords are required to carry larger electric current than the appliance served. Extension cords must be 3-prong and U.L. approved on appliances requiring grounding Vendors must provide their own cords. CO2 bottles must be secured.

**14. NOISE:** Amplified sound is not permitted to extend outside the assigned space. SOUND LEVELS from individual vendor booths shall not interfere with other vendor's ability to conduct business or cause complaints to the Festival Coordinator. All entertainment, including but not limited to music, shall be coordinated by IYLF exclusively.

**15. MERCHANDISE & SERVICE:** IYLFI reserves the right to approve and will limit the goods sold or service rendered within any given category. Hand Crafted, handmade or unique items are preferred! No distribution of information or any other vendor activity shall occur outside of the assigned vendor booth space without approval by the Festival Chairman.

**16. SALE OF ALCOHOL:** **Vendors are not allowed to sell alcohol in any form.** If beer and alcohol are sold it will be by the Lions Club or by a business in the Town of Yankeetown which holds a liquor license that is in effect both before and after the festival dates.

**17. PROHIBITED SALES:** Sale of drugs, firearms, drug paraphernalia, or sexual or suggestive material is prohibited. If knives are sold they must be kept under glass cover except when being shown to a customer. The Festival Chairman may ask you to remove such items, or any other items deemed inappropriate by the Chairman, from your display. If you decline, you will be asked to shut down your booth. There will be no refund. For safety reasons you will not be allowed to disassemble and remove your merchandise/booth until such time as the festival is closed to the public which is after 5:00pm on both Saturday Nov. 17, 2018 and Sunday Nov. 18, 2018.

**18. PRICES:** **Food & Beverage vendors must display food prices in full sight of the customer.**

**19. SALES TAX:** **Florida Sales tax is 6%. Vendors are responsible for knowing if your product or service qualifies for sales tax and for collection and reporting of same.**

**20. VENDOR TAKE-DOWN:** Vendors agree to have displays completely set-up and open from 9:00 am until 5:00 pm on Saturday Nov. 17, 2018 and 9:00 am until 4:00 pm on Sunday November 18, 2018. No take down during these hours will allowed.

**21. TRASH:** Vendors are responsible for collection and disposing of their own trash. Trash collection points will be provided. Vendor agrees to be responsible for the clean-up of their own space at the end of the Festival.

**22. INSURANCE:** IYLFI and its officers, volunteers and contractors assume no responsibility for any loss or damage whatsoever. IYLFI recommends all vendors have liability insurance. ( Proof of insurance is required with food vendor applications.) Information and arts and crafts vendors may show proof of liability insurance. All vendors must accept the Yankeetown Arts & Seafood festival liability wavier hereafter stated.

**23. LIABILITY WAIVER:** All vendors shall save, defend and hold harmless the IYLFI, its officers, members and contractors from any damages or claims resulting to or from their merchandise or services.

**24. SECURITY:** IYLFI will provide security watch overnight on Friday and Saturday nights.

**25. CANCELLATION:** IYLFI will refund 1/2 (one-half) of total fees paid by a vendor if a written cancellation is received by IYLFI on or before Saturday, October 6, 2018. No refunds will be given for cancellations after Oct. 6, 2018. There is no rain date for this event. IYLFI reserves the right to cancel the Yankeetown Arts & Seafood Festival at any time. Should IYLFI cancel the festival fees will be refunded. In the event a natural emergency or disaster forces the cancellation of the festival, IYLFI will then refund fees minus prorated expenses that IYLFI cannot recover.

**26. NON-COMPLIANCE:** Vendors who do not comply with this agreement or any part of this agreement, or who in any way *whatsoever* cause a disruption or problem to the IYLFI and its officers or festival staff, volunteers, contractors, Town of Yankeetown officials and staff, Town of Yankeetown residents, other vendors or festival guests will not be allowed to continue their sales and may be asked to close their booth and exit the Festival. In the event this occurs for safety reasons you will not be allowed to disassemble and remove your merchandise/booth/rig etc. during festival hours which are from 9:00 am until 5:00 pm on Saturday and 9:00 am until 4:00 pm on Sunday.

**27. CONTACT INFORMATION:**

**OUR CONTACT NUMBER: 352-505-7936 Email: yankeetownseafoodfestival@gmail.com**

**Our Emergency Only Contact Numbers: 352-564-0315 and 817-253-4144**



## **INGLIS YANKEETOWN LIONS CLUB ART, CRAFT & SEAFOOD FESTIVAL**

Sat/Sun–November 17–18, 2018

Hours: 9am to 5pm on Saturday -- 9am to 4pm on Sunday

Vendor Set-Up On Friday Nov. 16, 2018

### **DIRECTIONS TO THE FESTIVAL**

Note: All vendors are requested to enter the festival area via 63<sup>rd</sup> Street in Yankeetown.

#### **GPS ADDRESS FOR THE FESTIVAL : 1 Riverside Drive, Yankeetown, Fl. 34498**

*NOTE : In any of the directions below, to bypass traffic congested area on Hwy 40 ---Use 40 A, which is off US 19 appx. ½ mile north of Hwy 40. Go west on 40 A --Continue appx five miles to the 4-way stop -- Go straight at the 4-way stop on 63<sup>rd</sup> Street appx 4 blocks to Riverside Drive.*

#### **U.S. 19 / 98 -From the South**

Take US 19 north to Inglis, Fl. At the traffic light in Inglis turn left onto Hwy 40 (Follow That Dream Parkway). Follow Hwy 40 appx. five miles to 63<sup>rd</sup> Street in Yankeetown, Fl..

Turn left on 63<sup>rd</sup> Street and proceed to Riverside Drive.

#### **U.S. 19 / 98 -From the North**

Take US 19 south to Inglis, Fl. At the traffic light in Inglis turn right onto Hwy 40 (Follow That Dream Parkway). Follow Hwy 40 appx. five miles to 63<sup>rd</sup> Street in Yankeetown, Fl..

Turn left on 63<sup>rd</sup> Street and proceed to Riverside Drive.

#### **From Gainesville, FL and points north...Take I-75 to State Road 121 in Gainesville, Fl**

After exiting, turn right onto State Road 121. Follow State Road 121 to US 19

(Watch the signs closely in Williston, Fl –121 turns left, right, left, then right again)

Turn left onto US 19. Follow US 19 South to Inglis, Fl. At the traffic light in Inglis turn right (west) onto Hwy 40. (Follow That Dream Parkway). Follow Hwy 40 appx. five miles to 63<sup>rd</sup> Street in Yankeetown, Fl..Turn left on 63<sup>rd</sup> Street and proceed to Riverside Drive.

#### **I-75**

#### **From Tampa, Fl and points south....Take I-75 to State Road 44 near Wildwood, Fl.**

After exiting, turn left on State Road 44 (aka Gulf to Lake Hwy). Follow State Road 44 west to Crystal River, Fl to US 19\* . Take US 19 north to Inglis, Fl. At the traffic light in Inglis turn left onto Hwy 40 (Follow That Dream Parkway). Follow Hwy 40 appx. five

miles to 63<sup>rd</sup> Street in Yankeetown, Fl.. Turn left on 63<sup>rd</sup> Street and proceed to Riverside Drive. *\*Or from Tampa .... Veteran's Toll Road –North to the end then go west to US 19 and follow above directions to Yankeetown.*

#### **I-75 to Ocala, Fl to Yankeetown (Exit in Ocala at State Road 200)**

Follow State Road 200 west out of Ocala to County Road 484. Turn right on 484 to Dunnellon, Fl. At the traffic light in Dunnellon go straight. In appx 3 blocks the road will made a turn to the right. This will be Hwy 40. Follow Hwy 40 west to Inglis, Fl.

At the traffic light in Inglis proceed straight.

In appx. five miles turn left onto 63<sup>rd</sup> Street and proceed to Riverside Drive.



# Where to Stay in Inglis & Yankeetown

## ROOMS

### Hickory Island Cabins Festival Sponsor

- For Reservations Call: (352) 447-2520
- Website <http://hickoryislandlodge.com/>

### Nature Coast Inn (formerly Pine Lodge) Festival Sponsor

- For Reservations Call: (352) 447-7463
- Website <http://www.naturecoastinn.com/>

### Withlacoochee Motel Festival Sponsor

- For Reservations Call: (352) 447-2211

## CAMPGROUNDS

### B's Campground & Marina Festival Sponsor

6621 Riverside Drive, Yankeetown, FL 34498

- RV's & Tents
- For Reservations Call: (352) 447-5888
- Website <http://bmarinacampground.net/>

### Big Oaks River Resort

14035 W. River Road, Inglis, FL 34449

- RV Parking / Cabins
- For Reservations Call: (352) 447-5333
- Website <http://www.bigoaksriverresort.com/index.htm>

### Eleanor Oaks RV Park Festival Sponsor

41 Cattail Lane, Yankeetown, FL 34498

- For Reservations Call: (352) 447-3050
- Website <https://www.eleanoroaksvrpark.com/>

### Gulf Coast RV Resort

14035 W. River Rd Inglis, FL. 34449

- For Reservations Call : (352) 447-5333
- Website

# Hotels & Motels in Crystal River

(Listed by Distance from the Festival)

### Quality Inn Crystal River

4486 N Suncoast Boulevard, US 19 N, Crystal River, FL 34428

- **For Reservations Call: (352) 563-1500**
- *Distance From Festival -11.2 miles / 16 minutes*

**Econo Lodge**

**2575 North US 19, Crystal River, FL 34428**

- **For Reservations Call: (352) 795-9447**
- *Distance From Festival – 11.4 miles / 17 minutes*

**Days Inn Crystal River**

**2380 NW Highway-19, Crystal River, FL 34428**

- **For Reservations Call: (352) 795-2111**
- *Distance From Festival 11.8 miles / 18 minutes*

**BEST WESTERN Crystal River Resort**

**614 Northwest Highway 19, Crystal River, FL 34428**

- **For Reservations Call: (800) 568-8520**
- *Distance From Festival 13.3 miles / 20 minutes*

**Holiday Inn Express Crystal River**

**1203 NE 5th Street, Crystal River, FL 34429**

- **For Reservations Call: (877) 859-5095**
- *Distance From Festival – 14.9 miles / 23 minutes*

**Plantation on Crystal River**

**9301 West Fort Island Trail, Crystal River, FL 34429**

- **For Reservations Call: (800) 632-6262**
- *Distance From Festival 15.5 miles / 24 minutes*

**The Port Hotel and Marina**

**1610 S.E. Paradise Circle, Crystal River, FL 34429**

- **For Reservations Call: (352) 795-3111**
- **Distance From Festival 15.6 miles / 25 minutes**

**Hampton Inn Crystal River, FL**

**1103 North Suncoast Boulevard, Crystal River, FL 34429**

- **For Reservations Call: (855) 271-3622**
- *Distance From Festival 15.9 miles / 27 minutes*